

## Dome Fiber Optic Splice Closure

### CV019

#### Description:

Fiber optic splice closure CV019 is an equipment that used for optical fiber cable splicing, joint and protection. It is water proof and dust proof and suitable for outdoor aerial hanged, pole mounted, wall mounted, duct, buried application.



#### Features:

Material: Outside PP closure body, inside ABS splice tray

Sealing structure: Heat shrinkable sealing

IP standard: IP68

Cable port: 1 oval port 24.5\*50mm + 4 round ports (2pcs  $\Phi$ 20mm & 2pcs  $\Phi$ 16mm)

Capacity: Max. 48 fibers

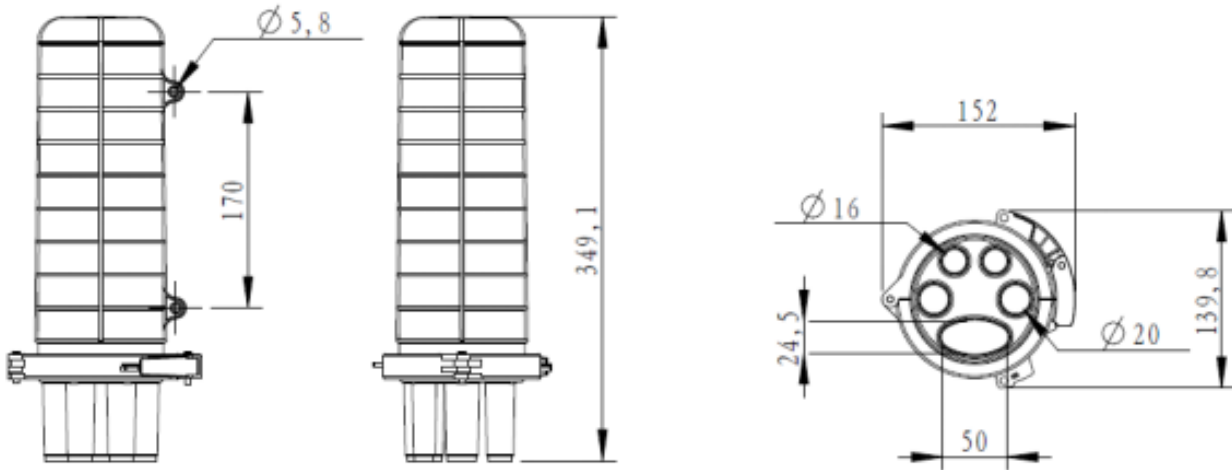
Splice tray: only 1pc, two sides are same design, each side 12 slots for max. 24 fibers splicing.

Simplified design, very easy for installation and maintenance.

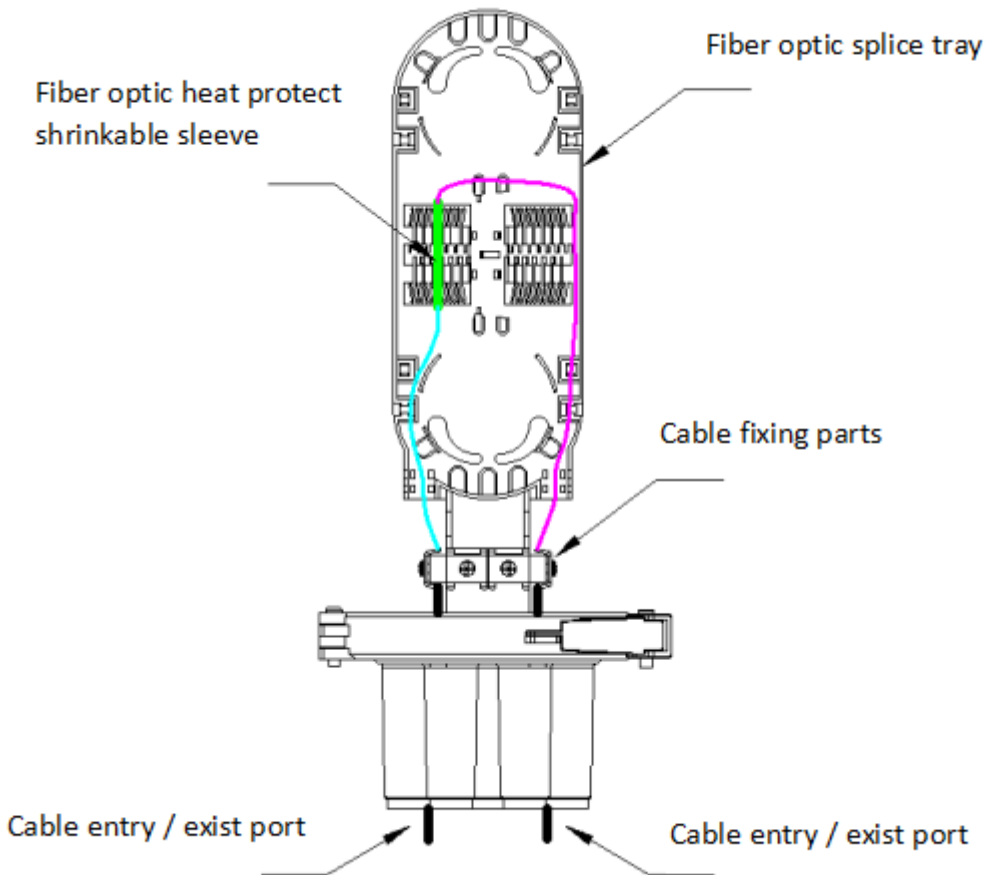
#### Specification:

Model	Dimension	Material	Splice tray	Max. capacity	Cable port	Structure
CV019	$\Phi$ 139.8x349.1mm	PP	1PC	48 F	1 oval & 4 round port	Heat shrinkable sealing

**Drawings: (mm)**



**Cable management drawings:**



**Accessories:**

Item	Name	Specification	Qty
1	Fiber optic heat protect shrinkable sleeve	Length 60mm	48 pcs
2	Heat shrinkable sleeve	Φ25*100mm black	2 pcs
3	Heat shrinkable sleeve	Φ30*100mm black	2 pcs
4	Heat shrinkable sleeve	φ45*120mm black	1 pc
5	Cable tie	Length 120mm	6 pcs
6	Aerial hanged accessories	Stainless steel	1 set

**Optional accessories:**

Item	Name	Model	Qty	Remark
1	Pole mounted accessories	CV010-76	1 set	Pole mounted application

**Images:**

